



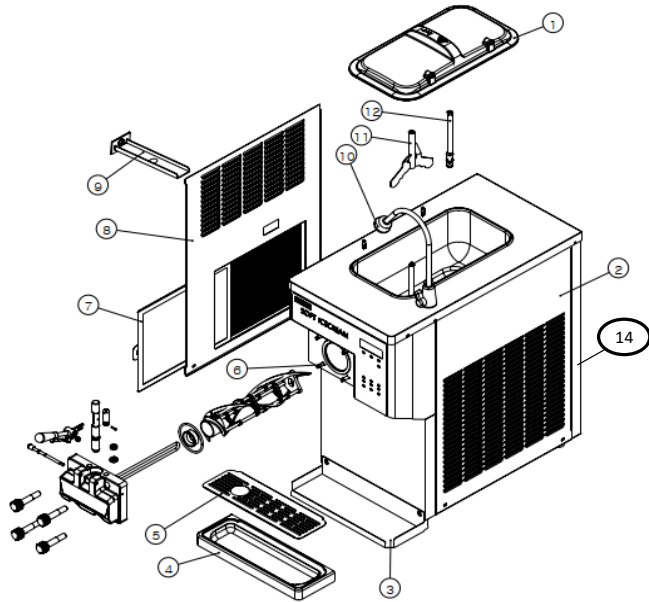
**ISI-300TA PART LIST FOR
220V/60HZ/1PH**

12.5.2023

Revised on December 5, 2024

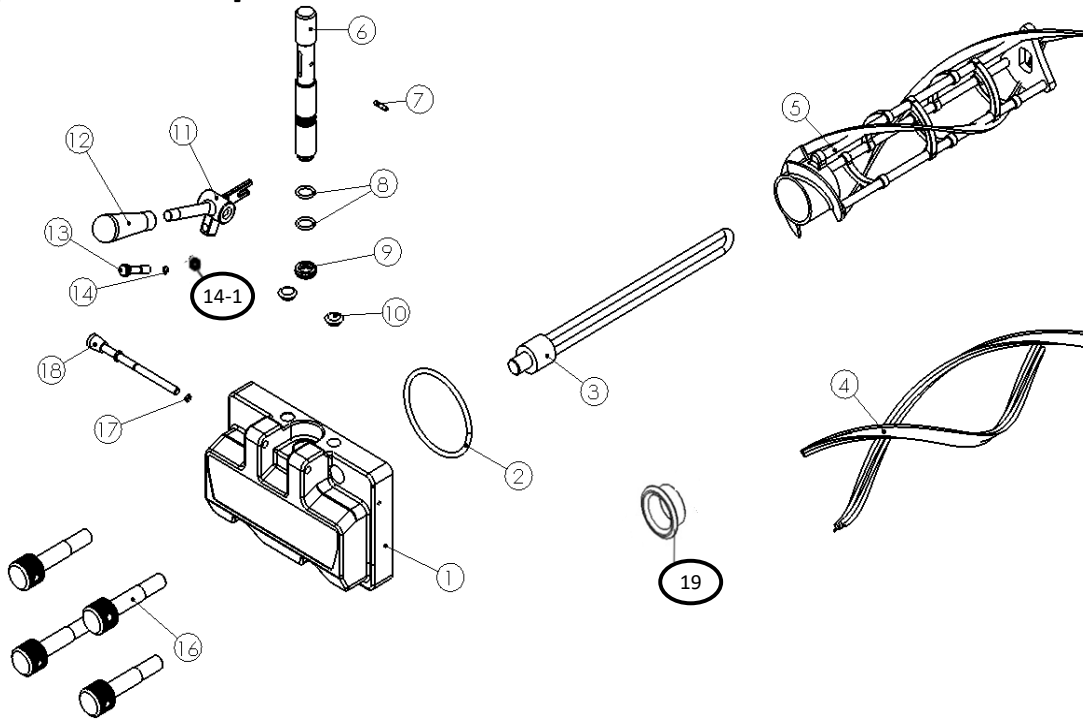
* Cause of revision in December 2024: Valve Assembly and others

ISI-300TA EXTERNAL ITEMS



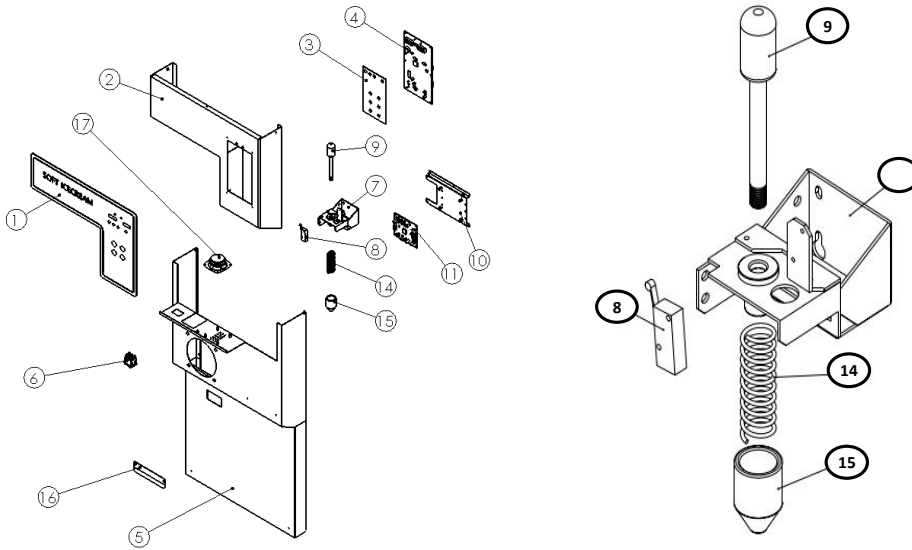
NO	PART DESCRIPTION(NEW FORMAT)	Before Revision	After Revision	Before Revision	After Revision	Requested Q'ty
		PART NAME(OLD)	PART NAME	PART NUMBER	PART NUMBER	
1	HOPPER COVER 301 303	COVER BASKET	HOPPER COVER 301 303	317132100	No change	1
2	SIDE PANEL-RIGHT 301	SIDE PANEL R	SIDE PANEL-RIGHT 301	349089701	No change	1
3	DRIP TRAY BRACKET 301	BRACKET DRAIN BOX	DRIP TRAY BRACKET 301	443057000	No change	1
4	TRAY-DRIP 301	DRAIN BOX	TRAY-DRIP 301	336015200	No change	1
5	SHEILD-SPLASH 301	DRAIN BOX UP	SHEILD-SPLASH 301	610028700	No change	1
6	STUD-NOSE CONE	BOLT FRONT DRAWING	STUD-NOSE CONE	214012000	No change	4
7	AIR FILTER 301	FITLER CONDENSER	AIR FILTER 301	640006700	No change	1
8	SIDE PANEL-LEFT 300TA	SIDE PANEL L ASSY	SIDE PANEL-LEFT 301	420034600	420041101	1
9	DIR PAN 163TT 300TA	DRAIN SLUG	DIR PAN 301	336006101	No change	1
10	WATER FAUCET	WATER VALVE	WATER FAUCET	241000100	No change	1
11	AGITATOR PADDLE 300TA	AGITATOR ASSY	AGITATOR PADDLE 301 303	436001500	436002410	1
12	FEED TUBE ASSEMBLY 301	ASSY CARBURETOR	FEED TUBE ASSEMBLY 301	729002810	No change	1
13	FEED TUBE ORING	AGITATOR TOP PACKING TWO 301	FEED TUBE ORING	303018600	No change	2
14	BACK PANEL 300TA				349099600	1

[BEATER ASSEMBLY]



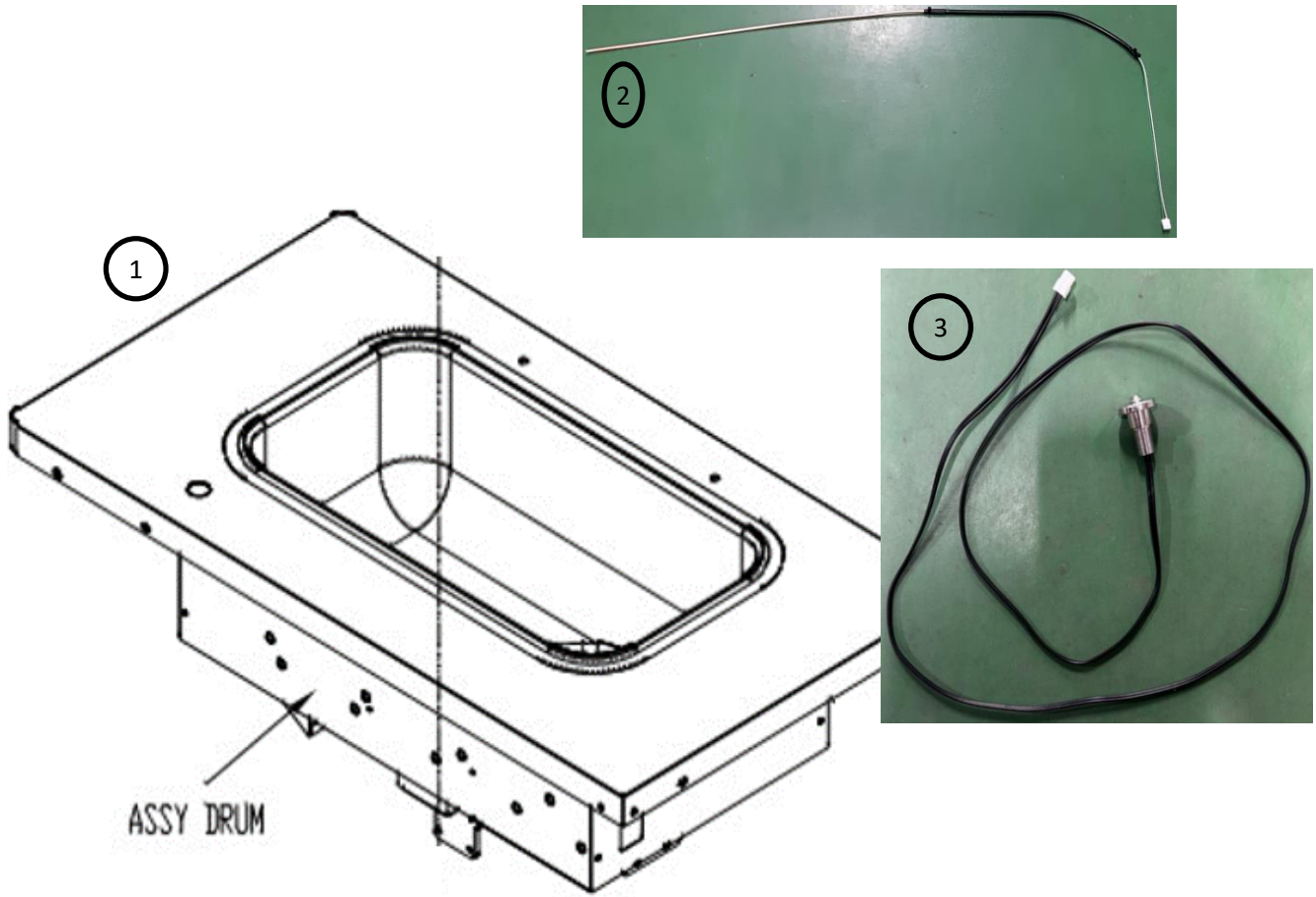
NO	PART DESCRIPTION(NEW FORMAT)	Before Revision	After Revision	Before Revision	After Revision	Requested Q'ty
		PART NAME(OLD)	PART NAME	PART NUMBER	PART NUMBER	
1	DOOR-FREEZING CYLINDER 300TA	DASHER COVER	DOOR-FREEZING CYLINDER 300TA	317144600	317144601	1
2	GASKET-DOOR 203 301 303	PACKING DASHER COVER	GASKET-DOOR 203 301 303	303025800	No change	1
3	BAFFLE 301 303	MIXING SHAFT	BAFFLE 301 303	314005800	No change	1
4	SCRAPER BLADE 301 303	DASHER LUG POM	SCRAPER BLADE 301 303	403010200	No change	2
5	BEATER 300TA	DASHER ASSY	BEATER 301	403019200	403002900	1
6	DRAW VALVE 301	PISTON	DRAW VALVE 301	430002100	No change	1
7	DRAW VALVE PIN	SHAFT PIN	DRAW VALVE PIN	315002900	No change	1
8	O-RING DRAW VALVE UPPER 301	PACKING DASHER SHAFT	O-RING DRAW VALVE UPPER 301	303027900	No change	2
9	O-RING DRAW VALVE LOWER 301	PACKING DOWN 141	O-RING DRAW VALVE LOWER 301	303027801	No change	1
10	DOOR SEAL PLUG	CAP SILICON	DOOR SEAL PLUG	319004200	No change	2
11	DRAW LEVER 301	LEVER DASHER	DRAW LEVER 301	309003400	No change	1
12	DRAW LEVER HANDLE 300TA	GRIP HAND	DRAW LEVER HANDLE 301	342003900	342003910	1
13	SCREW ADJUSTMENT 163TT	SCREW ADJUST	SCREW ADJUSTMENT 163TT	210806100	No change	1
14	O-RING SCREW ADJUSTMENT 163TT	O-RING SCREW ADJUST	O-RING SCREW ADJUSTMENT 163TT	303017700	No change	1
14-1	HEX NUT-SCREW ADJUSTMENT 161	ADJUST NUT	HEX NUT-SCREW ADJUSTMENT 161	215011000	No change	1
16	NUT-STUD 301	JOINT BOLT TOP	NUT-STUD 301	214025700	No change	4
17	O-RING PIN-PIVOT	O-RING LEVER SHAFT	O-RING PIN-PIVOT	303020000	No change	1
18	PIN-PIVOT 301	SHAFT LEVER	PIN-PIVOT 301	314025700	No change	1
19	BEARING-DOOR HUB 300TA	DASHER BEARING	BEARING-DOOR HUB 300TA	310001000	No change	1

ISI-300TA FRONT PANEL



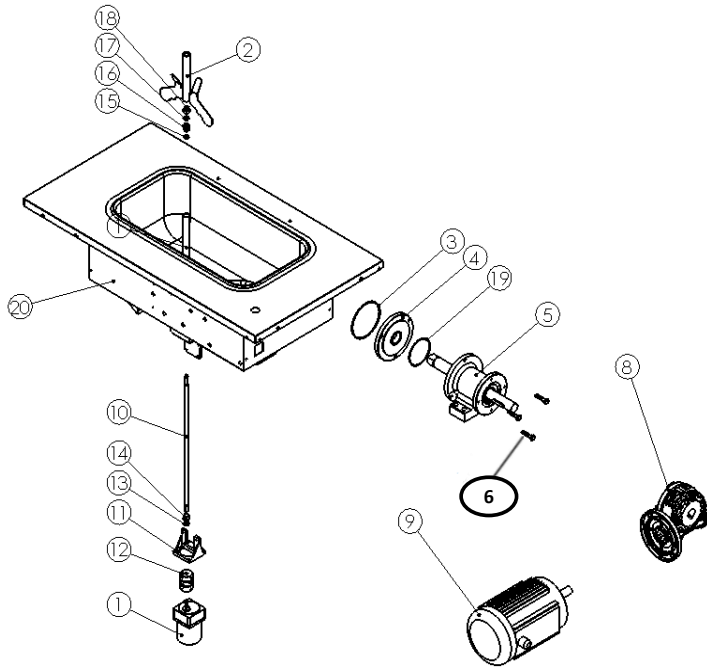
NO	PART DESCRIPTION(NEW FORMAT)	Before Revision	After Revision	Before Revision	After Revision	Requested Q'ty
		PART NAME(OLD)	PART NAME	PART NUMBER	PART NUMBER	
1	BUTTON DISPLAY CECAL 301	BUTTON DISPLAY	BUTTON DISPLAY CECAL 301	440030201	No change	1
2	FRONT INTERFACE PANEL CASE 300TA	FRONT COVER UP	FRONT INTERFACE PANEL CASE 300TA	317169301	610032000	1
3	BUTTON PCB 300TA	BUTTON PCB	BUTTON PCB	367005901	367011900	1
4	DISPLAY PCB 300TA	DISPLAY PCB	DISPLAY PCB	367005704	367011800	1
5	FRONT LOWER PANEL 300	FRONT COVER TOP ASSY	FRONT COVER TOP ASSY	432044100	No change	1
6	MAIN SWITCH 163 203 303	SWITCH	SWITCH	355012400	No change	1
7	BRACKET LEVER SWITCH ASSY	GUIDE SHAFT	BRACKET LEVER SWITCH ASSY	314026601	610027811	1
8	MICRO SWITCH 300	MICRO SWITCH	MICRO SWITCH	355018100	No change	1
9	DRAW HANDLE PISTON UPPER SHAFT 301	LEVER PISTON SHAFT	LEVER PISTON SHAFT	314026400	No change	1
10	MAIN PCB BRACKET		BKT MAIN PCB		301103100	1
11	MAIN PCB 163 203 301 303	MAIN PCB	MAIN PCB	367005805	No change	1
14	DRAW HANLDE PISTON SPRING 301	GUIDE SPRING	GUIDE SPRING	323005700	No change	1
15	DRAW HANLDE PISTON LOWER SHAFT 301	MS SHAFT DOWN	MS SHAFT DOWN	314039500	No change	1
16	FRONT COVER TOP FIX	Missing	FRONT COVER TOP FIX	Missing	301115400	1
17	SPEAKER	Missing	SPEAKER	Missing	633000300	1

ISI-300TA SHELL&HOPPER



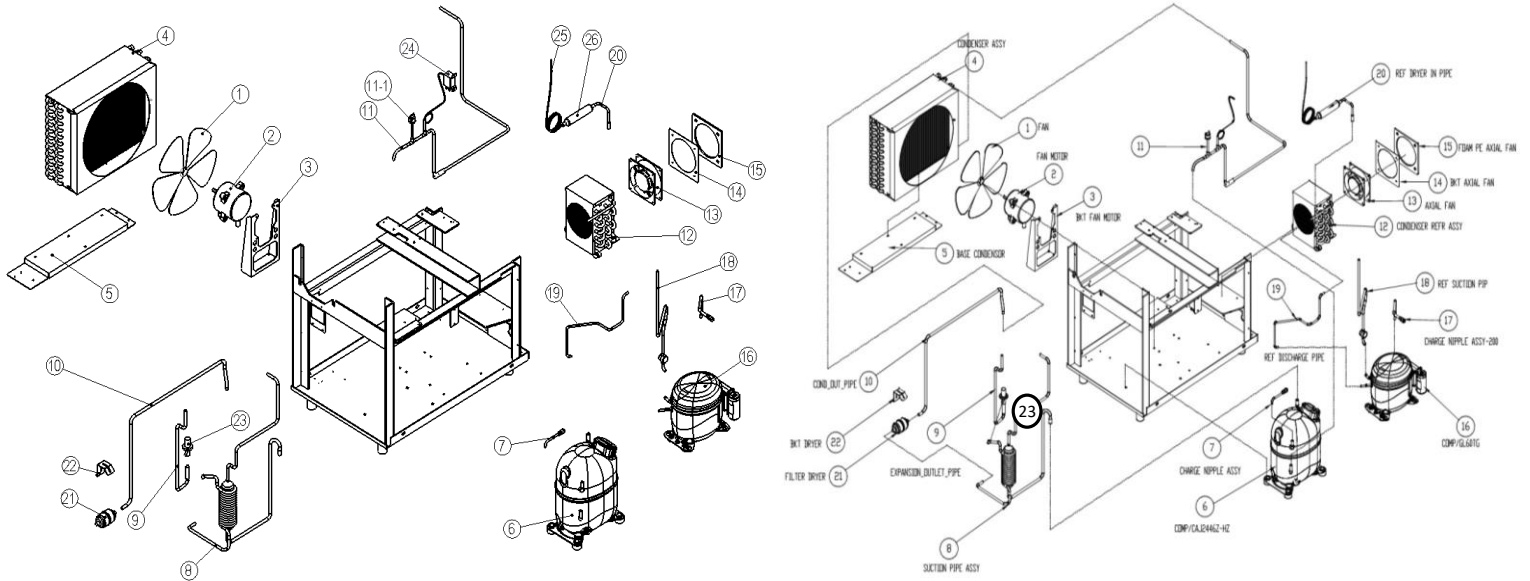
NO	PART DESCRIPTION(NEW FORMAT)	PART NAME(OLD)	PART NUMBER	Requested Q'ty
1	SHELL AND HOPPER 300TA	ASSY DRUM	410033400	1
2	THERMISTOR SENSOR-CYLINDER161 163 301	THERMAL SENSOR CYLINDER	317075102	1
3	THERMISTOR SENSOR-HOPPER 161 271 301	ASSY SENSOR CAP	319008900	1

ISI-300TA MOTORS



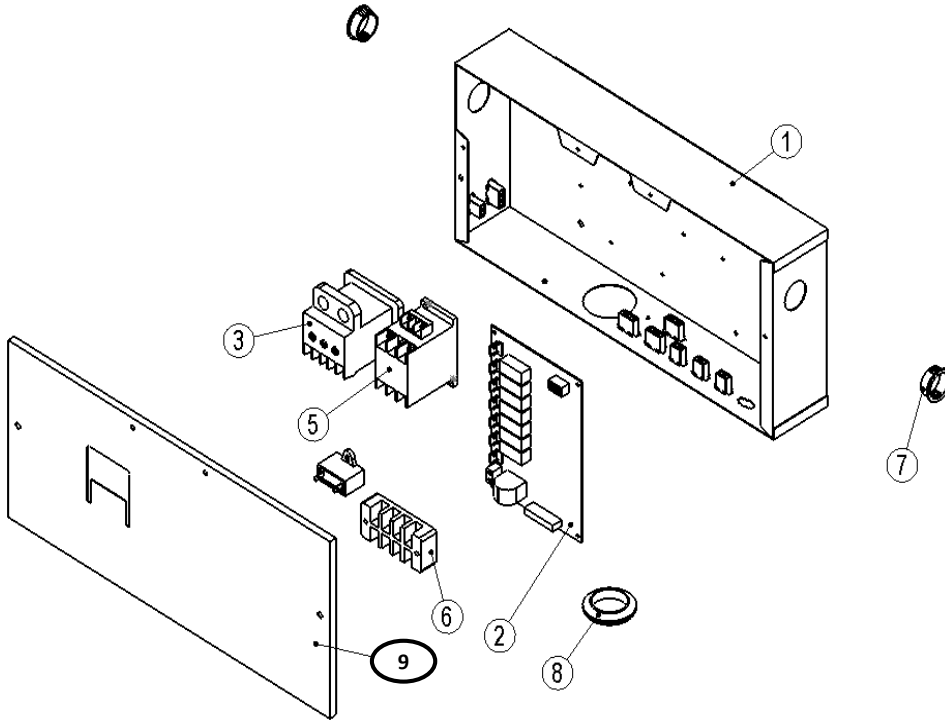
NO	PART DESCRIPTION(NEW FORMAT)	Before Revision	After Revision	Before Revision	After Revision	Requested Q'ty
		PART NAME(OLD)	PART NAME	PART NUMBER	PART NUMBER	
1	AGITATOR GEARED MOTOR 300TA	ASSY GEARED MOTOR	AGITATOR GEARED MOTOR 300TA	406016300	406016310	1
2	AGITATOR PADDLE 300TA	AGITATOR ASSY	AGITATOR PADDLE 300TA	436001500	No change	1
3	FRONT SEAL OF POM FLANGE 301	RING PACKING	FRONT SEAL OF POM FLANGE 301	303024900	No change	1
4	POM FLANGE 301	POM FLANGE	POM FLANGE 301	397001901	No change	1
5	HOUSING OF SHAFT BEATER ASSEMBLY 301	ASSY HOUSING SHAFT	HOUSING OF SHAFT BEATER ASSEMBLY 301	430002402-	No change	1
6	BOLT HOUSING	BOLT HOUSING	BOLT HOUSING	214019600	No change	1
8	GEAR-SPEED REDUCER 271 301	SPEED REDUCER	GEAR-SPEED REDUCER 271 301	355013100	No change	1
9	BEATER-MOTOR 300TA	DASHER MOTOR	BEATER-MOTOR 301	353021403	353034500	1
10	SHAFT AGITATOR 300TA	SHAFT AGITATOR	SHAFT AGITATOR 300TA	314026800	No change	1
11	AGITATOR GEARED MOTOR HOUSING 271 301	AGITATOR MOTOR HOUSING	AGITATOR GEARED MOTOR HOUSING 271 301	390001100	No change	1
12	AGITATOR JAW COUPLER 271 301	JAW COUPLING	AGITATOR JAW COUPLER 271 301	612000400	No change	1
13	WASHER BEARING	Missing	WASHER BEARING	Missing	211003600	1
14	SHAFT DOWN BEARING	Missing	SHAFT DOWN BEARING	Missing	314013000	1
15	AGITATOR TOP PACKING TWO	Missing	AGITATOR TOP PACKING TWO	Missing	303018600	1
16	SHAFT TOP BEARING	Missing	SHAFT TOP BEARING	Missing	314012900	1
17	AGITATOR SEALING PACKING	Missing	AGITATOR SEALING PACKING	Missing	303020700	1
18	SHAFT CAP	Missing	SHAFT CAP	Missing	314012700	1
19	BACK SEAL OF POM FLANGE 301	RING PACKING	BACK SEAL OF POM FLANGE 301	303024910	No change	1
20	SHELL AND HOPPER 300TA	ASSY DRUM	SHELL AND HOPPER 300TA	410033400	No change	1

ISI-300TA REFRIGERATION ASSEMBLY



NO	PART DESCRIPTION(NEW FORMAT)	Before Revision	After Revision	Before Revision	After Revision	Requested Q'ty
		PART NAME(OLD)	PART NAME	PART NUMBER	PART NUMBER	
1	FAN BLADE 163TT 300TA	FAN	FAN BLADE 163TT 300TA	308001800	No change	1
2	MOTOR FAN 300TA	FAN MOTOR	MOTOR FAN 300TA	353020901	353015901	1
3	MOTOR FAN BRACKET	BRACKET FAN MOTOR	MOTOR FAN BRACKET	301115300	No change	1
4	FREEZER CONDENSER ASSEMBLY 300TA	CONDENSER ASSY	FREEZER CONDENSER ASSEMBLY	411018000	No change	1
5	CONDENSER STAND	BASE CONDENSOR	CONDENSER STAND	341011800	No change	1
6	COMPRESSOR CAJ2446Z freezer 300TA	COMP/CAJ2446Z-HZ	COMPRESSOR CAJ2446Z freezer 3	394020200	No change	1
7	ACCESS PORT MAIN COMPRESSOR	CHARGE NIPPLE ASSY	ACCESS PORT MAIN COMPRESSOR	459000400	459001400	1
8	SUCTION PIPE ASSEMBLY 300TA	SUCTION PIPE ASSY	SUCTION PIPE ASSEMBLY 300TA	325123410	No change	1
9	AXV OUTLET	EXPANSION OUTLET PIPE	AXV OUTLET	325123310	No change	1
10	CONDENSER OUTLET PIPE 300TA	COND OUT PIPE	CONDENSER OUTLET PIPE 300TA	325123110	No change	1
11	DISCHARGE OUTLET PIPE 300TA	DISCHARGE PIPE ASSY	DISCHARGE OUTLET PIPE 300TA	325123010	No change	1
11-1	HIGH PRESSURE CUT OUT	missing	PRESSURE SWITCH/SRT1008	355015100	No change	
12	HOPPER CONDENSER ASSEMBLY 300TA	CONDENSER REFR ASSY	HOPPER CONDENSER ASSEMBLY 3	411009610	No change	1
13	AXIAL FAN AND MOTOR	AXIAL FAN	AXIAL FAN AND MOTOR	353009900	No change	1
14	AXIAL FAN BRACKET	BKT AXIAL FAN	AXIAL FAN BRACKET	301145600	No change	1
15	AXIAL FAN FOAM INSULATION	FOAM PE AXIAL FAN	AXIAL FAN FOAM INSULATION	306025600	No change	1
16	COMPRESSOR GL60TG refrigeration 300TA	COMP/GL60TG	COMP/GU60TG	394008800	394024100	1
17	ACCESS PORT REF. COMPRESSOR	CHARGE NIPPLE ASSY-200	ACCESS PORT REF. COMPRESSOR	459001400	No change	1
18	REF SUCTION PIP	REF SUCTION PIP	REF SUCTION PIP	325123710	325167100	1
19	REF DISCHARGE PIPE	REF DISCHARGE PIPE	REF DISCHARGE PIPE	325123510	No change	1
20	REF DRYER IN PIPE	REF DRYER IN PIPE	REF DRYER IN PIPE	325123610	No change	1
21	FILTER DRYER	FILTER DRYER	FILTER DRYER	372001300	No change	1
22	FILTER DRYER BRACKET	BKT DRYER	FILTER DRYER BRACKET	301146600	No change	1
23	AXV	EXPANSION V/V	AXV	340006100	No change	
24	PRESSURE SWITCH(SAGINOMIYA)	missing	PRESSURE SWITCH(SAGINOMIYA)	missing	355018500	
25	CAPILLARY 09120	missing	CAPILLARY 09120	missing	325158200	
26	FILTER DRYER	missing	FILTER DRYER	missing	372002701	

ISI-300TA CONTROL BOARD



ISI-300TA1Φ,220V / 60Hz 기준

NO	PART DESCRIPTION(NEW FORMAT)	Before Revision	After Revision	Before Revision	After Revision	Requested Q'ty
		PART NAME(OLD)	PART NAME	PART NUMBER	PART NUMBER	
1	CONTROL BOX	CONTROL BOX	CONTROL BOX	374137100	No change	1
2	CONTROL PCB 163 203 301 303	CONTROL PCB	CONTROL PCB 163 203 30	367006002	No change	1
3	EMPR 203 301 303	EMPR	EMPR 203 301 303	356000800	No change	1
5	MAGNETIC CONTACTOR(2a) 163 203 300	MAGNET	MAGNETIC CONTACTOR(2	322002300	No change	1
6	TERMINAL BLOCK	TERMINAL BLOCK	TERMINAL BLOCK	363003900	No change	1
7	BUSHING	BUSHING	GROMMET BUSHING	232000500	232003500	1
8	BUSHING	BUSHING	BUSHING	232004800	No change	1
9	COVER CONTROL BOX	COVER CONTROL BOX	COVER CONTROL BOX	317172900	No change	1